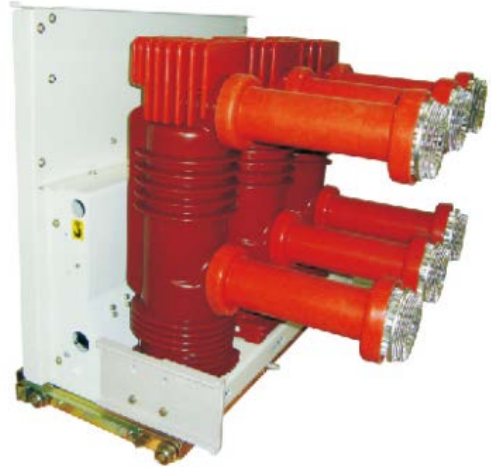


## VHY1-12/24 Indoor Vacuum Circuit Breaker

### Summary

VHY1-12/24 Series Indoor AC High Voltage Vacuum Circuit Breaker is used for indoor switchgear three-phase AC 50Hz, rated voltage 12/24kV power system, as power equipment, control and protection of industrial and mining enterprises of the power equipment, is a new generation of vacuum circuit breaker in domestic and foreign markets with many years of professional production experience designed by our company. It conforms with GB1984, JB3855, DL/T402/403, IEC62271-100 and so on.

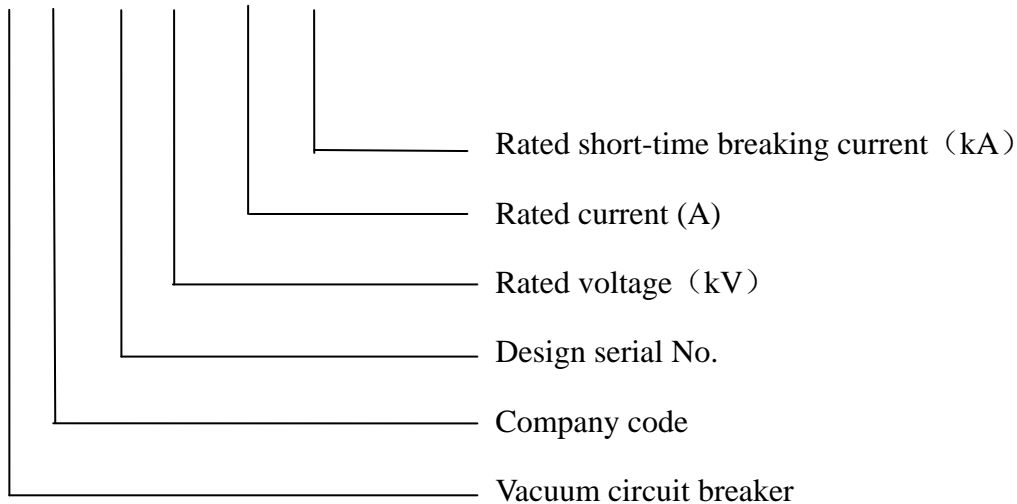


### Ambient Condition

- 1 Environmental air temperature: upper limit is +40℃, lower limit is -25℃;
- 2 Altitude  $\leq$  1000m;
- 3 Relative humidity: daily average value  $\leq$  95%, monthly average value  $\leq$  90%;
- 4 Vapor pressure: daily mean relative humidity  $\leq 2.2 \times 10^{-3}$ MPa, monthly mean relative humidity  $\leq 1.8 \times 10^{-3}$ MPa;
- 5 Earthquake intensity: not exceeding 8 degree;
- 6 Installation site: without fire risk, explosion hazard, heavy pollution, chemical corrosion and violent vibration.

### Model

V HY 1- 24 / □ - □ Indoor HV AC Vacuum Circuit Breaker



## Technical Parameters

No.	Item		Unit	Technical parameters		
1	Rated voltage		kV	12, 24		
2	Rated current		A	630, 1250	1250, 1600, 2000, 2500, 3150	
3	Rated frequency		Hz	50		
4	Rated insulation level	1 min P.F withstand voltage	phase to phase, phase to earth fracture	kV	65	
		lightning impulse withstand voltage			65	
	lightning impulse withstand voltage	phase to phase, phase to earth fracture	125			
			125			
5	4s Rated short-time withstand current		kA	20	25	31.5
6	Rated short circuit breaking current			20	25	31.5
7	Rated peak withstand current			50	63	80
8	Rated short circuit making current			50	63	80
9	Rated duration of short-circuit		s	4		
10	Rated out phase ground fault breaking current		kA	17.4	21.7	27.4
11	Rated operation sequence		s	O-0.3s-CO-180s-CO		
12	Rated operation voltage		V	DC(AC)220/110		
13	Electrical life		Time	E2 class <sup>b</sup>		
14	Mechanical life		time	10000		

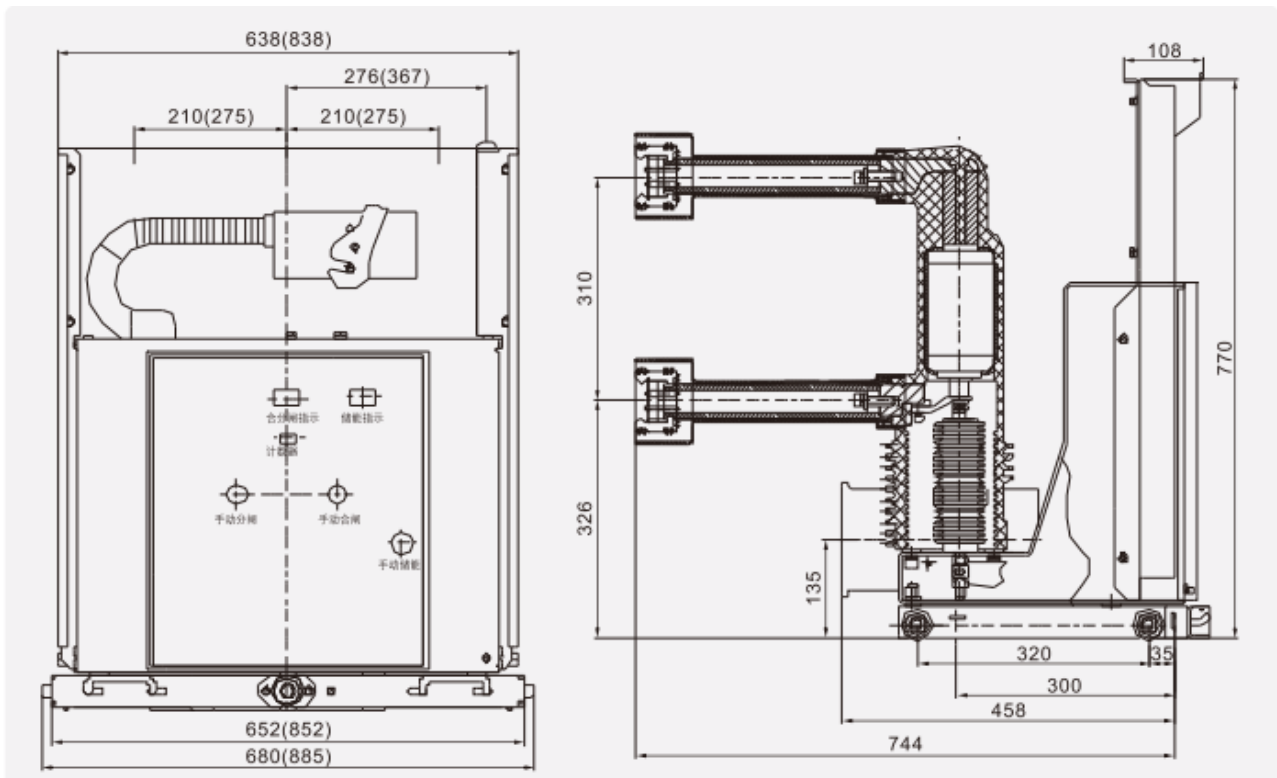
Note: when rated current is 3150A, the switchgear should be equipped with forced air cooling.

## Main Feature

1. Adopt new generation modular spring operating mechanism. Compact structure, simple and reasonable layout, reliable transmission, easy installation;
2. The integrated design of the operating mechanism and the breaker body. It can be used as a fixed installation unit or a special propulsion mechanism to form a handcart unit;
3. The main circuit mainly adopts unique solid sealing design, or insulating cylinder;
4. The main circuit adopts solid insulation structure and integrated solid sealing pole to realize maintenance free, high reliability and miniaturization;
5. Five perfect anti-chain function after equipped with cabinet.

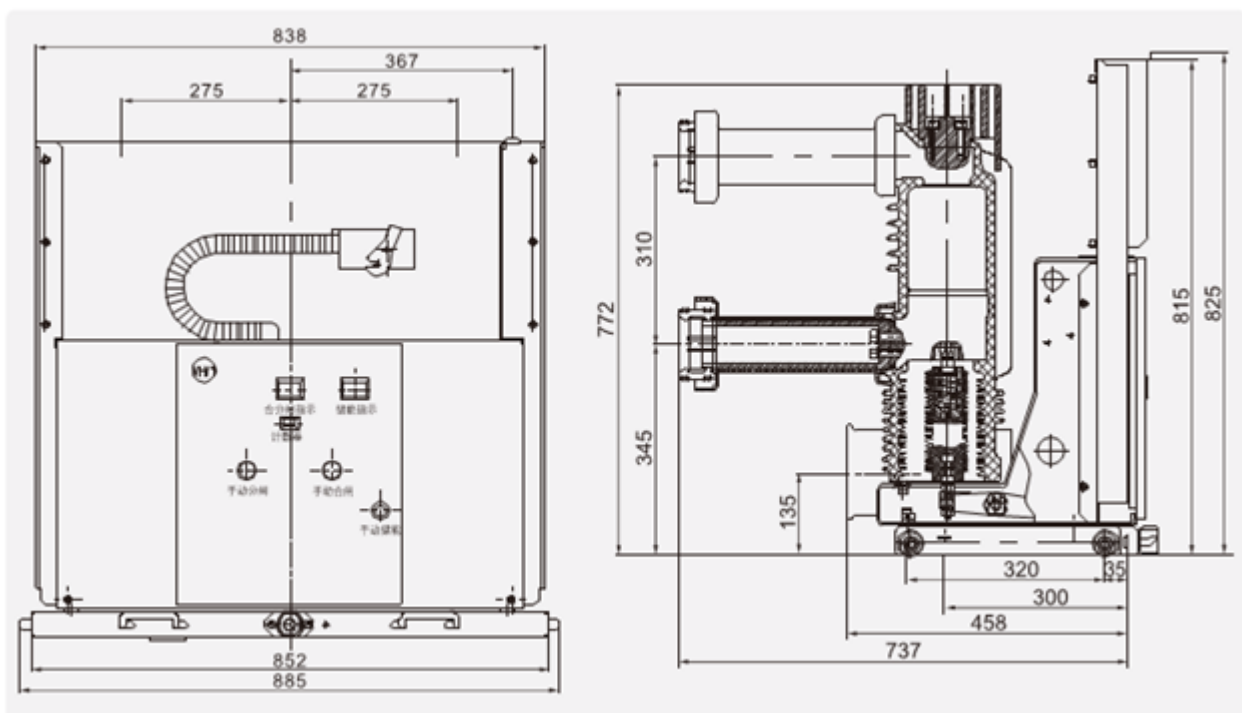
## Outline Dimension

Outline Drawing of VHY1-24 Series Handcart type Circuit Breaker



Note: it is for the product with 1250A rated current and below. The feeding stroke of the handcart is 300mm.

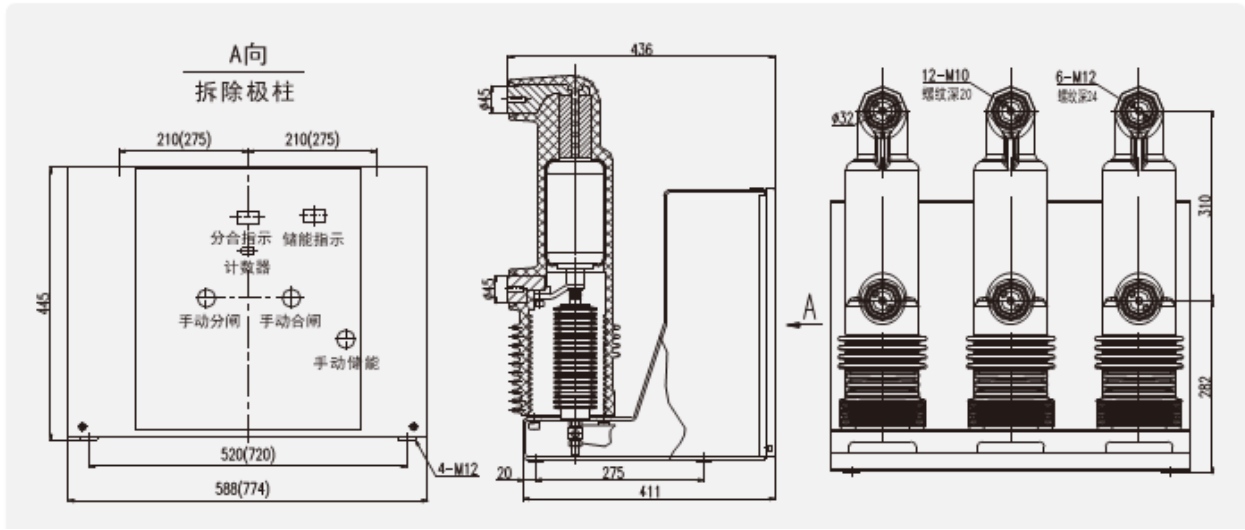
Outline Drawing of VHY1-24 Series Handcart type Circuit Breaker



Note: it is for the product with 1600A rated current and above. The feeding stroke of the

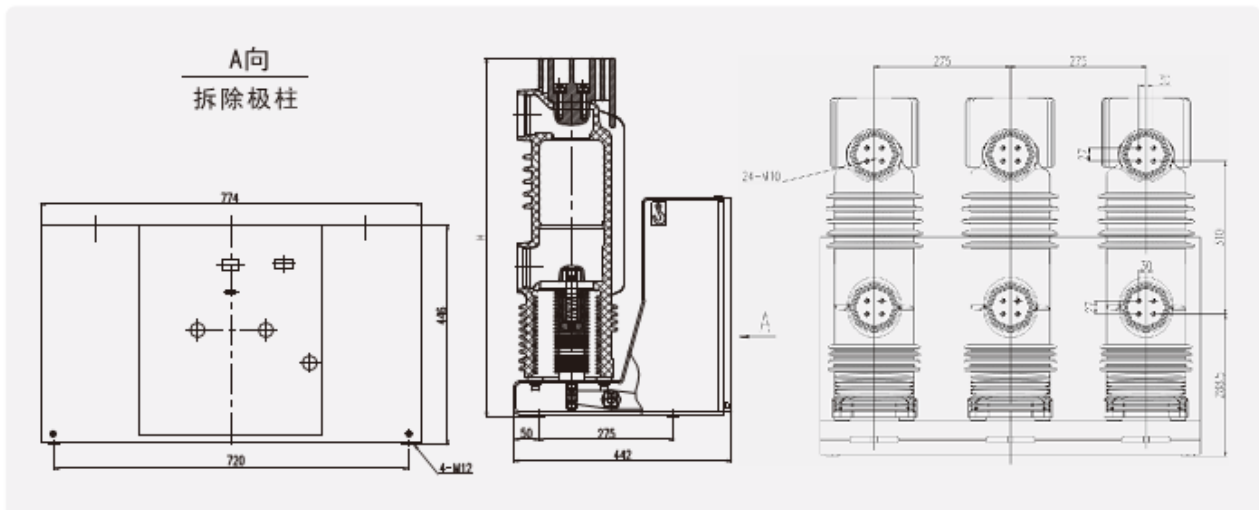
handcart is 300mm.

### Outline Drawing of VHY1-24 Series Fixed Circuit Breaker



Note: it is for the product with 1250A rated current and below.

### Outline Drawing of VHY1-24 Series Fixed Circuit Breaker



Note: it is for the product with 1600A rated current and above. The height of 1600A and 2000A current is 639mm, the height of 2500A and 3150A current is 728mm,