

ZN23-40.5 Indoor High Voltage Vacuum Circuit Breaker

Summary

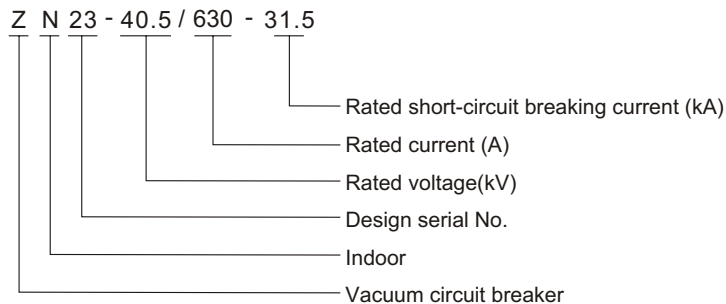
ZN23-40.5 vacuum circuit-breaker handcart is a type of HV electric apparatus of rated voltage 40.5kV, three-phase and AC 50/60Hz. This product applies to electricity distribution system in mining industry and substation acting as control and protection apparatus, it is applicable in occasions with frequent operation such as metallurgy and electric-arc steel-making. This product conforms to standard of IEC298 & GB/T1984-2003 AC high voltage circuit-breaker.



Ambient condition

1. Altitude: $\leq 1000\text{m}$;
2. Ambient temperature: $-25^{\circ}\text{C}\sim+40^{\circ}\text{C}$;
3. Relative humidity: daily average $\leq 95\%$, monthly average $\leq 90\%$;
4. Earthquake intensity: ≤ 8 degree;
5. Applicable occasions should free from inflammables, explosives, corrosives and severe vibration.

Model



Product feature

1. High insulation level, low cut-off level and strong arc-extinction capability.
2. Electric magnetic mechanism and spring operating mechanism both fit on.
3. GBC ark and JYN1 ark both fit on.

Technical specification

No.	Item	Unit	Data
1	Rated voltage	kV	40.5
2	Lightning impulse withstand voltage	kV	185
3	1min P.F withstand voltage	kV	95
4	Rated frequency	Hz	50/60
5	Rated current	A	630,1000,1600,2000
6	Rated short circuit breaking current	kA	25,31.5
7	Rated short-time withstand current	kA	25,31.5
8	Rated peak withstand current	kA	63,80
9	Rated short-circuit duration	s	4
10	Rated short circuit breaking time	ms	≤ 90
11	Rated short-circuit making current	kA	50,80

No.	Item	Unit	Data
12	Rated operation sequence		O-0.3s-CO-180s-CO
13	Opening time	ms	50~85
14	Closing time	ms	40~85
15	Rated short-circuit breaking current breaking time	Times	20
16	Mechanical life	Times	10000
17	Rated breaking current of capacitor	A	630
18	Rated power of storage motor	W	275
19	Rated voltage of storage motor	V	≈ 220,110
20	Power-storage time	s	≤ 15
21	Rated voltage of on-off electromagnetic	V	≈ 220,110
22	Rated voltage of no-voltage tripper	V	≈ 220,110
23	Rated current of over-current release	A	5
24	Rated current of auxiliary switch	A	10

Outline dimension

