

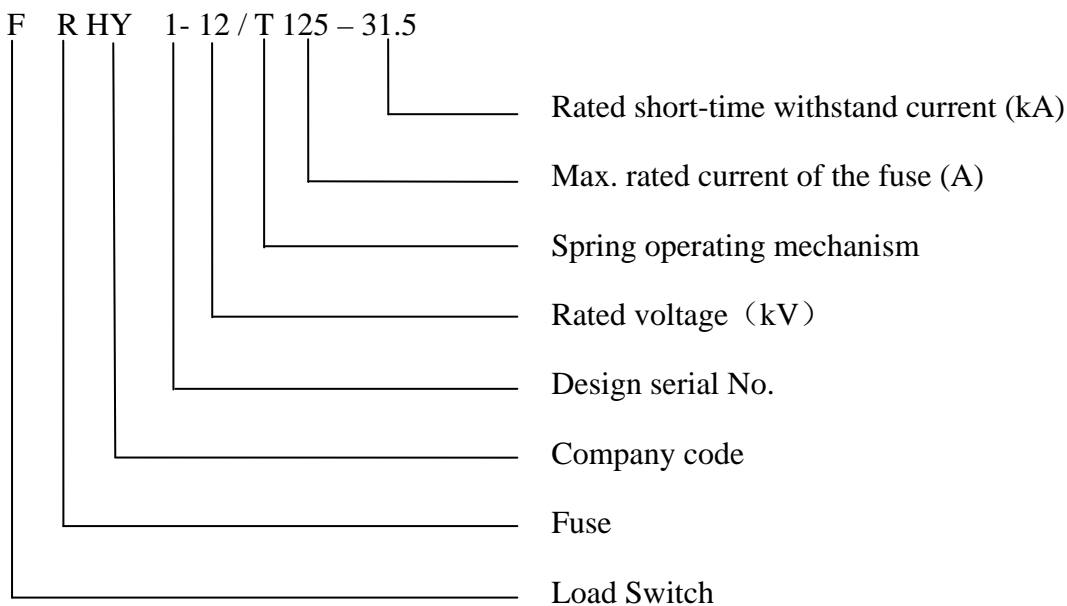
FRHY1-12 Indoor Vacuum Load Break Switch

Summary

FRHY1-12 Vacuum Load Switch – Fuse Composite Apparatus is the indoor equipment which is researched and developed by our company, used in three-phase AC 50Hz, 12kV rated voltage. The product is the main component of the ring network power supply unit, and is widely used in industrial and mining enterprises. In residential areas, hospitals, schools, parks, two substations and other distribution systems, it is the best choice for protection stations. The product conforms with the relevant requirements of GB3804-2004 '3.6kV~40.5kV HV AV Load Break Switch', GB16926-2009 'HV AV Load Break Switch- Fuse Combination Apparatus'.



Model



Ambient Condition

- 1 Environmental air temperature: upper limit is +40°C, the mean value in 24h is no more than 35 °C, lower limit is -25°C;
- 2 Altitude \leq 1000m;
- 3 Relative humidity: daily average value \leq 95%, monthly average value \leq 90%;
- 4 Vapor pressure: daily mean relative humidity \leq 2.2kPa, monthly mean relative humidity \leq 1.8kPa;
- 5 Earthquake intensity: not exceeding 8 degree;

6 Installation site: without fire risk, explosion hazard, heavy pollution, chemical corrosion and violent vibration.

Technical Parameters

No.	Item		Unit	Data
1	Rated voltage		kV	12
2	Rated frequency		Hz	50
3	Rated insulation level	1 min P.F withstand voltage	kV	75
		Lightning impulse withstand voltage		42
4	Load switch	Rated current	A	630
		Rated active load breaking current	A	630
		Rated closed loop breaking current	A	630
		Rated cable charging breaking current	A	10
		4s Rated short-time withstand current	kA	20
		Rated peak withstand current	kA	50
		Rated short circuit making current	kA	50
		Rated earthing fault breaking current	A	30
		Rated cable charging and line charging breaking current under the earth fault condition	A	17.3
		Mechanical life	Time	10000
		Electrical life		E2 class
5	Load switch – fuse composite apparatus	Max. current of the fuse	A	125
		Transfer current	A	1750
		Opening time of fuse tube trigger switch	Ms	≤50
		Rated short circuit breaking current	kA	31.5
		Rated short circuit making current	kA	80
		Impacts the output energy of the fuse(medium)	J	0.5~1.5

Main Feature

1. Small size, compact structure, beautiful appearance;
2. Stable and reliable performance, long electric life, strong closing and breaking ability, convenient operation and maintenance and safety;
3. The vacuum interrupter set in the special insulating cylinder with our unique technology, make the switch have few maintenance, no pollution, no danger of explosion, low noise, high insulation level, suitable for frequent operation relatively harsh working conditions;
4. Adopt self-developed global modules spring operating mechanism, with perfect five anti-chain function cabinets after assembling;
5. Protect the transformer effectively.

Outline Dimension

