

## JN15A-12 Indoor AC High Voltage Earthing Switch

### Summary

JN15A-12 (EK6) indoor HV earthing switch is produced by introducing advanced technical from abroad, it is used for earthing protection in power system of rated voltage 12kV, AC 50/60Hz, it also qualified to make and break short circuit. The earthing switch has separate moving blade and fixed contact as to equip in different domestic metal-enclosed switchgear. This product conforms to IEC60129 and GB1985 standard.



### Ambient condition

1. Altitude:  $\leq 1000\text{m}$ ;
2. Ambient temperature:  $-25^{\circ}\text{C}\sim+40^{\circ}\text{C}$ ;
3. Relative humidity: daily average  $\leq 95\%$ , monthly average  $\leq 90\%$ ;
4. Earthquake intensity:  $\leq 8$  degree.

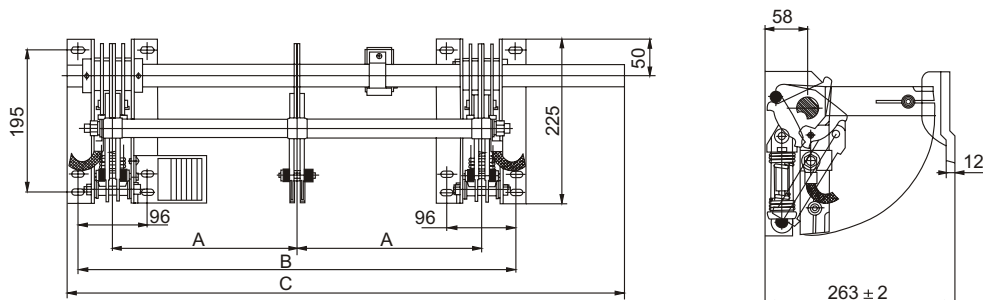
### Product feature

1. Advanced design and steady performance.
2. Simple structures, installation and adjustment.
3. Fast breaking and making capability.
4. Handsome appearance and delicate manufacture craft.
5. Usable and scientific apparatus, be operated on both sides(right and left).

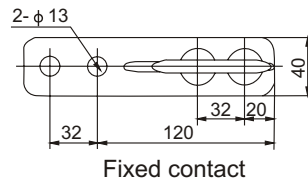
### Technical specification

Item	Unit	Data
Rated voltage	kV	12
Rated short-time withstand current	kA	31.5,40
Rated short-circuit duration	s	4
Rated short-circuit making current	kA	80,100
Rated peak withstand current	kA	80,100
Central distance between poles	mm	150,165,210,230,250,275

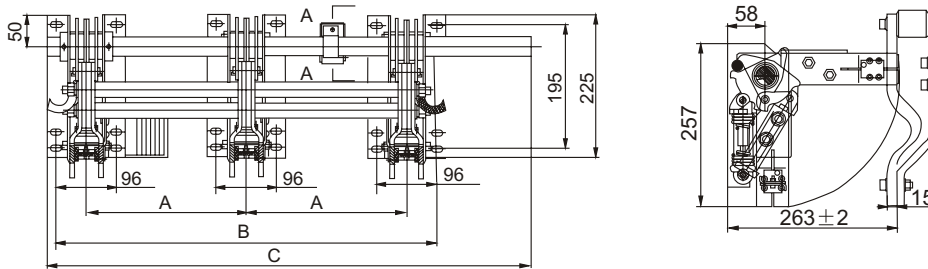
### Outline dimension



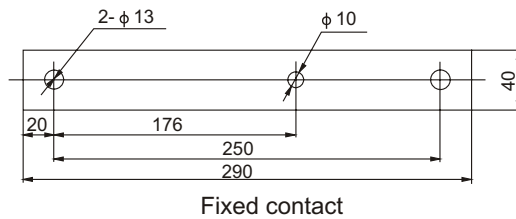
Model	A	B	C
JN15A-12/31.5-150	150	396	535
JN15A-12/31.5-165	165	426	565
JN15A-12/31.5-210	210	516	655
JN15A-12/31.5-230	230	556	710



JN15A-12/31.5 Earthing switch outline dimension



Model	A	B	C
JN15A-12/40-210	210	516	655
JN15A-12/40-230	230	556	710
JN15A-12/40-250	250	596	760
JN15A-12/40-275	275	646	810



JN15A-12/40 Earthing switch outline dimension

## Bevel gear mechanism

### Summary

Bevel gear mechanism is a driving device between operating mechanism and switchgear, it is used to operate switch with V axis, such as load break switch, disconnecter and earthing switch. Introducing an international advanced technology with innovative design and excellent performance develops this product. The driving ratio is 2:1 which makes operating moment half of the normal. It is also applicable in various switchgear with numerous composite models as well as mounting methods and operating directions depending on detail requirement.



### Technical specification

Item	Model	Mounting angle
Bevel gear mechanism	BR-101	35.50°
	BR-102	35.50°
	BR-103	25.0°
	BR-104	35.50°