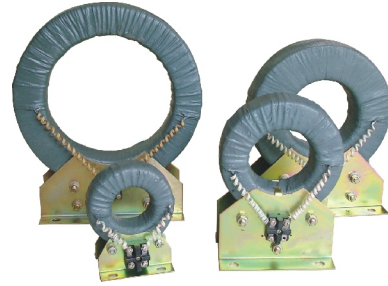


LJ-2/4/7 Current Transformer

Summary

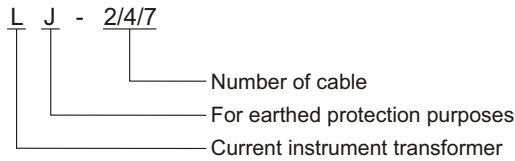
The LJ-2/4/7 zero sequence current transformers are used in indoor environment, and provided for electric power systems of rated frequency of 50/60 Hz and rated voltage of 35kV and below. The relay DD-11/60 matches with this model. All the versions meet standards IEC60044-1 and GB1208-2006. The products are used in metering electric energy, voltage controlling and relay protection applications.



Ambient condition

1. Ambient temperature: $-5^{\circ}\text{C} \sim 40^{\circ}\text{C}$;
2. Relative humidity: 85% or below at 20°C ;
3. Altitude: $\leq 1000\text{m}$;
4. Can be mounted in polluted indoor environment.

Model



Technical specification

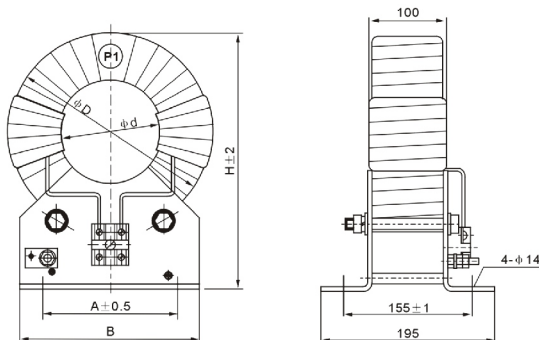
1. The product is tested only on the insulation level of secondary winding, because the primary main insulation level is determined by the cable rather than the product itself. The secondary winding can withstand power frequency test voltage to earth of 3kV.
2. The sensitivity of transformers complies with the following table.

Type	Number of cables	Secondary loop			Rated current ratio (A)
		Secondary output (Ω)	Adjustment current (A)	Sensitive (A)	
LJ-2	1~2	10	0.03	1~3	20/1
LJ-4	3~4				
LJ-7	5~7				

Notes: For the table above, the outside diameter of the cable should below 50mm. If the diameter is 50mm above, users should choose a bigger size zero sequence current transformers.

The iron core is ring shaped. And the secondary winding is wound around the core. The core is damped by clip which has holes for installation.

Outline dimension



Type	A	B	H	ϕD	ϕd
LJ-2	150	200	295	230	110
LJ-4	220	280	335	285	140
LJ-7	220	300	375	300	180
LJ1	80	125	170	135	80