

## JDZ-3/6/12(Q) Voltage Transformer

### Summary

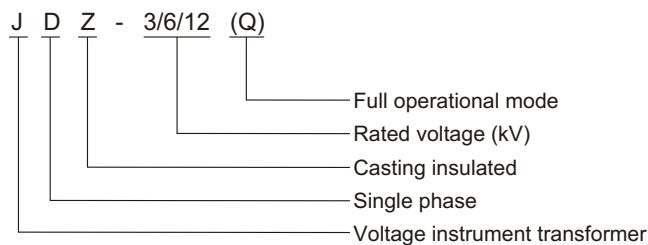
The JDZ-3/6/12(Q) voltage instrument transformers are cast in epoxy resin. The model includes versions with rated voltage of 3kV/6kV/12kV. The VTs should be mounted in indoor conditions. All the versions meet standards IEC60044-2 and GB1207-2006. The products are used in metering electric energy, voltage controlling and relay protection applications.

### Ambient condition

1. Ambient temperature: -45°C~40°C;
2. Relative humidity: 85% or below at 20°C;
3. Altitude: ≤1000m;
4. Can be mounted in polluted indoor environment.
5. The products withstand the direct vibration test on intensity of 0.4g three sine waves which is correspondingly 9.0 Richer Scale.



### Model



### Technical specification

1. Rated insulation level: 40.5/95/200kV.
2. More standard values are displayed in the following table.

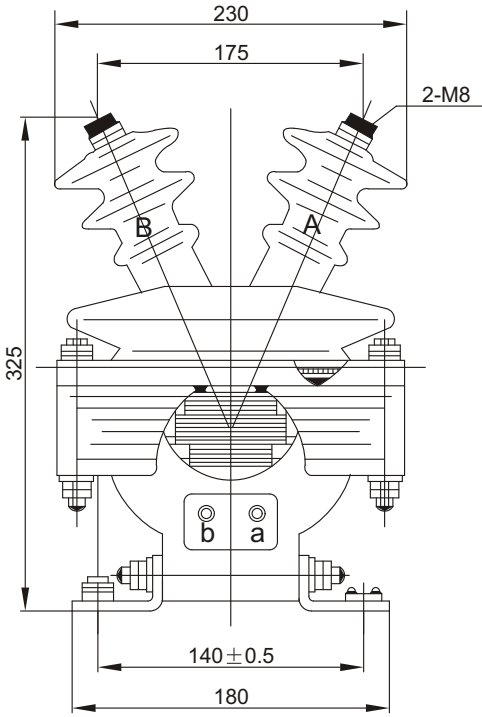
type	JDZ-3(Q)	JDZ-6(Q)	JDZ-12(Q)
Rated voltage ratio (V)	1000/100	6000/100	1000/100
	2000/100		
	3000/100		
Frequency (Hz)	50	50	50
Rated output(VA) for accuracy class 0.2 accuracy class 0.5 accuracy class 1 accuracy class 2	30	30	30
	50	50	80
	80	80	150
	200	200	300
Max. output (VA)	200	400	500
Insulation level (kV)	3.6/23/40	7.2/32/60	12/42/75

### Structure feature

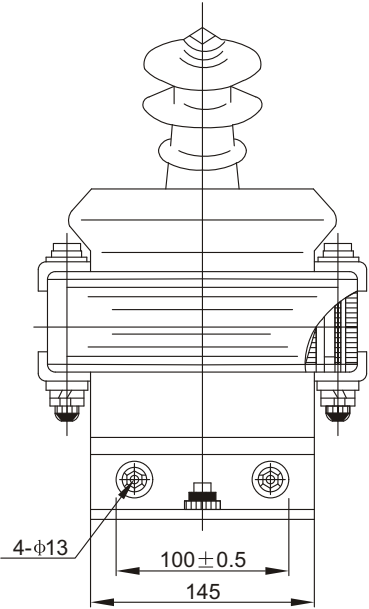
The transformers are cast in epoxy resin structure with piled ring core wound with primary and secondary windings in one core. The outlet of secondary windings includes two terminals marked as 'a' or 'x' are plugged bolts on the cast base. The outlet of primary winding consisted of two high voltage terminals marked as 'A' or 'X'.

## Outline dimension

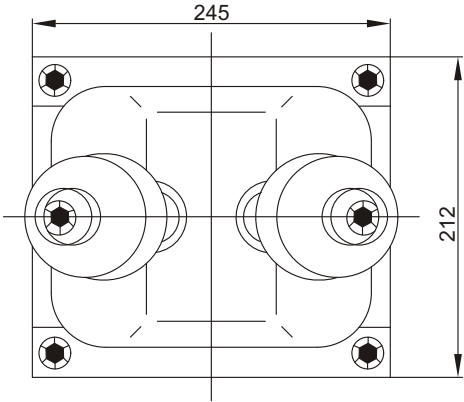
JDZ-12(6) 0.2/0.5 accuracy class



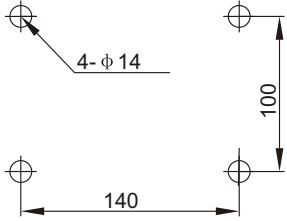
Front View



Side View



Vertical view



Installation dimension