

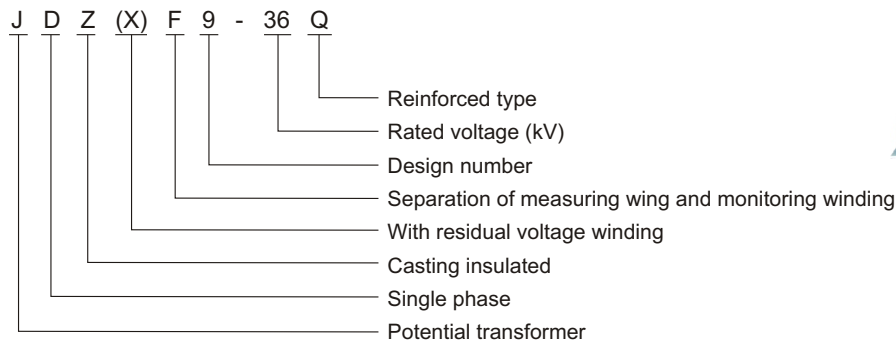
JDZ(X)(F)9-36Q Voltage Transformer

Summary

This model of voltage instrument transformers includes four versions: JDZ9-36, JDZF9-36, JDZX9-36 and JDZXF9-36. The units are cast in epoxy resin and fully enclosed. The units are suitable for electric systems of rated frequency of 50/60Hz and rated voltage of 36kV and below. They are used in indoor service conditions. The products are designed in accordance with Standards IEC60044-2 and GB1207-2006.



Model



Technical specification

1. Partial discharge levels comply with GB1207-2006 standard.

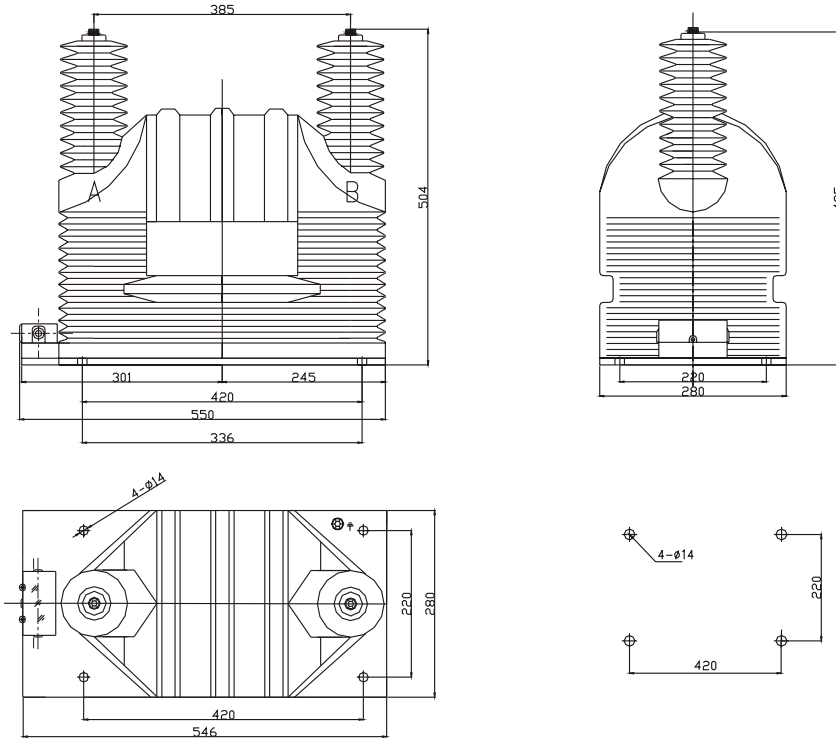
type	Rated voltage ratio (V)	Accuracy class and rated output (VA)			Limit output (VA)	Rated insulation level(kV)
		0.2	0.5	6P		
JDZ9-36	36000/100	75	150		1000	40.5/95/185
JDZF9-36	36000/100/100	30	60		2×500	
JDZX9-36	36000/√3/100/√3/100/3	50	100	100	1000	
JDZXF9-36	36000/√3/100/√3/100/√3/100/3	25	50	100	2×500	

Structure feature

- The units are cast in epoxy resin and fully enclosed.
- Excellent in withstanding overload and electric arc / UV ray resistance.
- Long life expectancy, long creepage distance, low in partial discharge.
- Core and windings are cast together. A base plate is equipped at the bottom of transformer.
- The version JDZ9-36 and JDZF9-36 are single-phase and connected in phase to phase.
- JDZF9-36 units have two secondary windings, one electric energy metering and the other for voltage monitoring.
- The version JDZX (F) 9 (including JDZX9-36 and JDZXF9-36) units are single-phase and connected in phase to earth. The primary terminal A is connected to phase wire. JDZXF9-36 version has three secondary windings. These windings are respectively used for voltage monitoring, electric energy metering or relay protection.

Outline dimension

JDZ9-36 Outline dimension



JDZX9-36 Outline dimension

